

# Firefighting/Heavy Duty tethered drone



System model: T200X

## 1. Solution Advantages

1. Long flight hover

The ground continuously provides power to the drone, allowing it to hover in the air 24 hours a day

2. Multiple ways to power supply

380V power supply, generator power supply

3. High security

Mounted under the drone, plug and play, supports hot and cold start, and seamlessly switches the fuselage battery when power is off

## 2. Main features

1. The system only retains the input switch, high voltage switch and cable retracting knob, easy to operate and can be deployed quickly. Users only need to operate the drone, which can greatly improve work efficiency and safety.

2. The product is integrated, has high power density, is miniaturized, lightweight, modularization and intelligently designed, and is easy to carry.

3. The onboard power supply adopts a voltage-stabilizing circuit solution, with wide-range input, constant voltage-stabilizing output, and continuous and stable power supply (the backup battery is only used for safe emergency landing, and can be configured with sufficient safe landing capacity), breaking the flight time limit.

4. The power supply in the base station adopts an isolated circuit design to ensure the safety of high-voltage power transmission.

## 3. System Configuration

1. 50kg net load drone set

2. 20kw 14S Air power **IP65 waterproof**

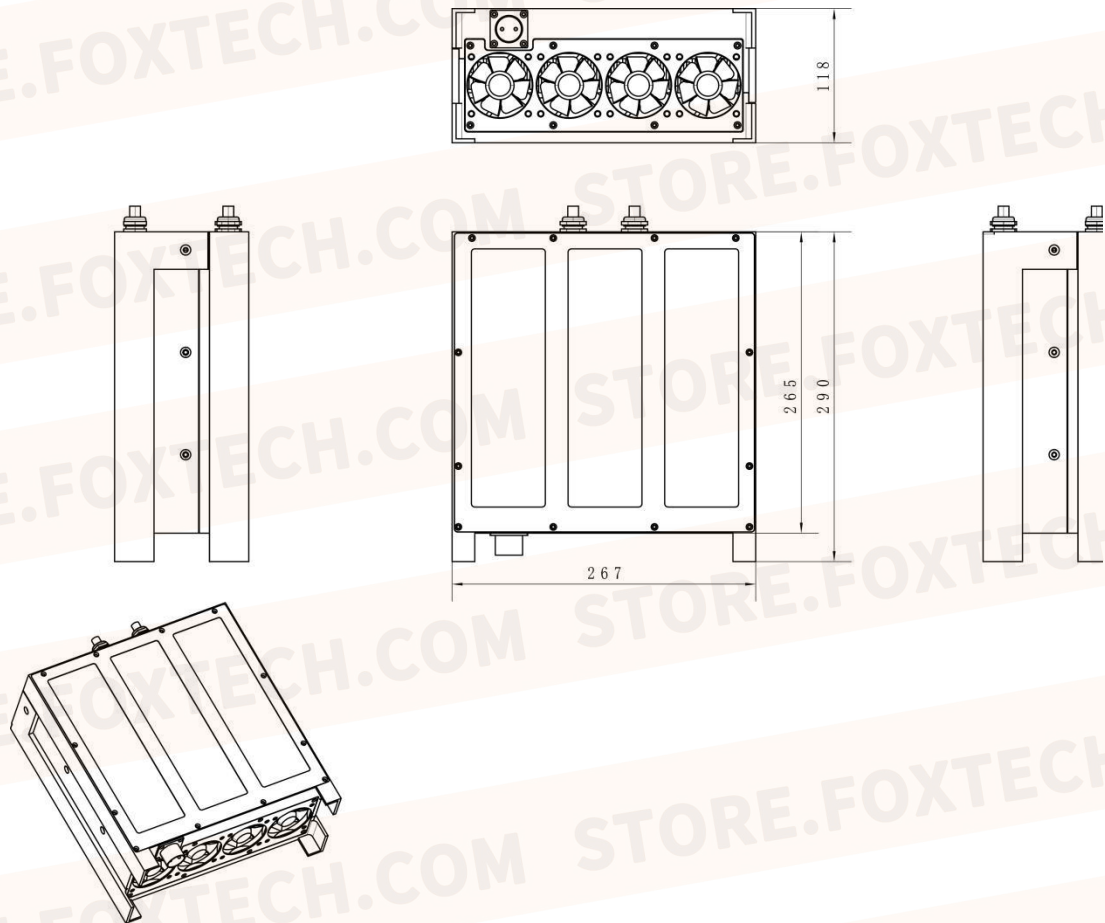
3. Tethered UAV System Base Station, together with Transportation box

## 4. Specifications

### Tethered system

Onboard power supply size	26.5*26.7*11.8cm
Weight of onboard power supply	10.8kg
Rated output power	20KW
Rated output voltage	14S stable
efficiency	96%
Air power <b>Bio-Battery design</b>	During the flight of the drone, if the ground power supply is abnormally interrupted, the drone can fly and land normally
Power off protection function	110% rated voltage self-recoverable
Output overvoltage protection	340A self-recoverable
Output overcurrent protection	100°C
Over temperature protection	Terminal foolproof
Output reverse polarity protection	Yes, self-recovery
Output short circuit protection	





Dimensions

68.6x44.8x49.2cm

Power supply

AC380V Power supply.

Continuous flight time is not less than 24hrs; 1000V DC; 30KW

Height

Max.220m

Tethered Station

Automatic pay-off and take-up system

Electric-Optical option

Automatic cable reeling and unreeling function

Highlights

- Power on, one-button start, automatic voltage compensation(\*patent)
- The internal menu can display voltage, current, cable length and temperature.(\*Patented, error less than 5%)

- With over-current, over-voltage, short-circuit and over-temperature protection
- With observation window, can be manually closed cable, reeling in without power supply
- Protection level: IP43
- Turbocharged ventilation and cooling

weight

55kgs tethered base station

